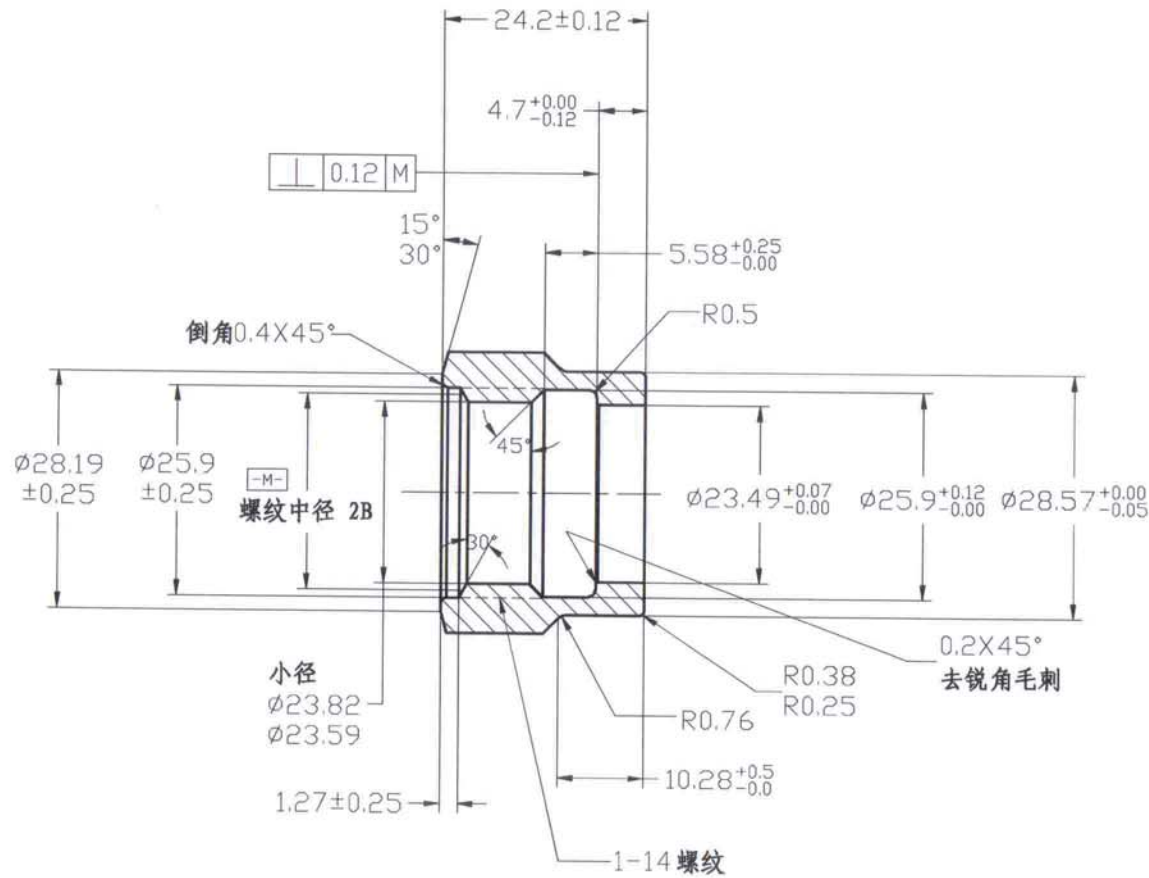
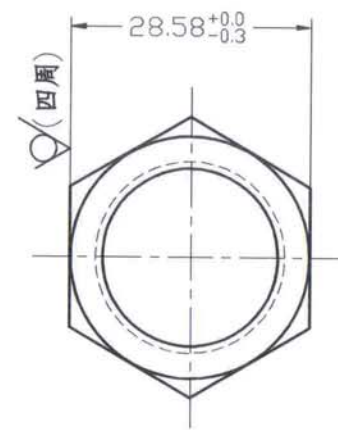


REV 更改号	DATE 日期	REVISION DETAILS 更改内容	APPD 审核并批准



其余 $\sqrt{3.2}$



UNLESS SPECIFIED
ALL DIMENSIONS IN mm
MACHINED SURFACES Ra=3.2um
ANGLE TOLERANCES ±1°
Other tolerance except angles,
in accordance with
GB/T1804-2000(ISO2768-1)-m
and GB/T1184-1996(ISO2768-2)-m

其它事项,
图示尺寸单位为mm
未注机加工表面粗糙度Ra=3.2um
角度公差±1°
其它未注公差(除角度外)均按:
GB/T1804-2000(ISO2768-1)-m和
GB/T1184-1996(ISO2768-2)-m

HANGZHOU HI-TECH INDUSTRY IMP. & EXP. CORP.		
PART No 零件名	40976-12-10fssw nut	
SCALE:	APPD: Zhangjian 批准	DRN: TangHailong 制图 2014.09.09
NTS	DATE: 12/09/14 日期	CHK: LIJunBiao 审核 2014.09.09

MATERIAL	Chinese steel 45
FINISH	Remove all sharp edges,burrs,slivers and swarf, break all edges 0.127-0.254mm. 去除所有毛刺, 铁屑等残留物, 锐边倒钝0.127-0.254mm. ZINC PLATED WITH TRIVALENT CHROMATE AND NO RED CORROSION IN 96 HOURS SALT SPRAY TEST. 镀锌, 三价铬钝化, 银白色, 96小时盐雾试验无红斑。